
Modular KVM Switch

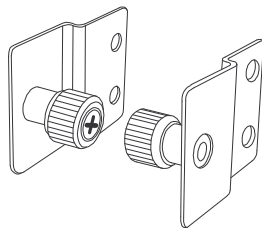
Quick Hardware Installation Guide

It is essential that each step of this installation guide is completed in the stated order to ensure a successful installation.

1. Please check the contents of this box against the list below, before installation.
2. Before installation, make sure all peripherals and computer have been turned off.

Hardware Installation Kits Contents:

1. Bracket A with thumb screw x 2



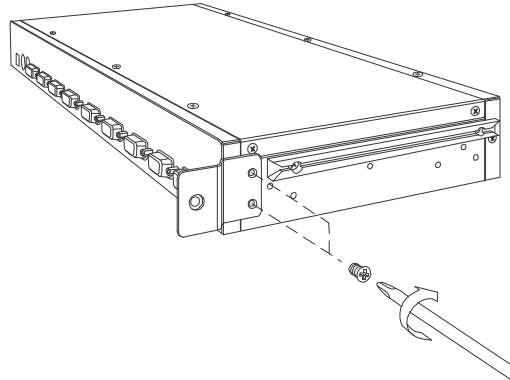
2. Screw (length 6mm) x 4



Tested to comply with FCC Standards
For Commercial Use Only!

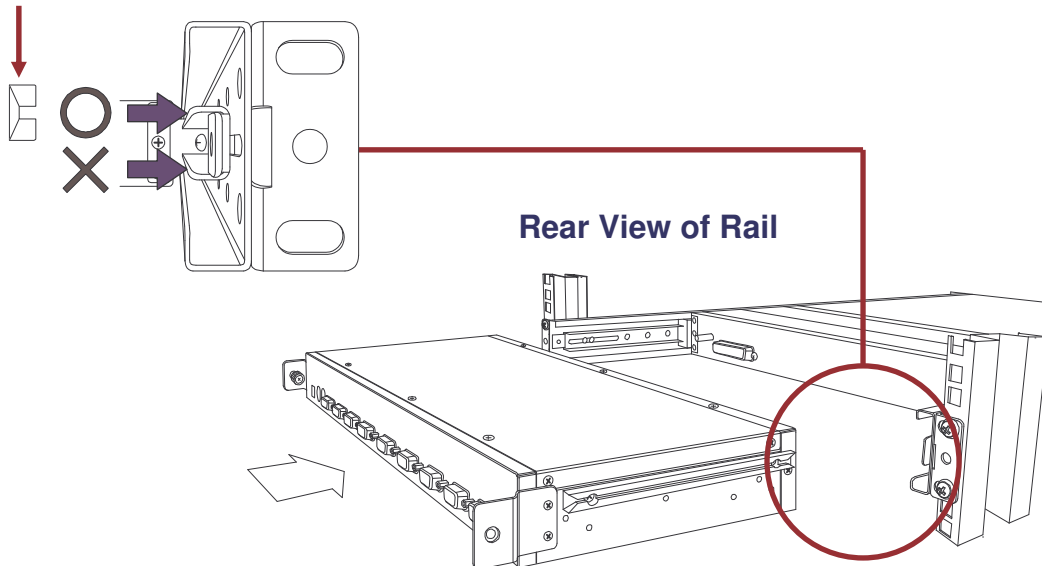
Installation steps:

1. Install two screws (length 6mm) to attach Bracket A to the KVM Switch at each side

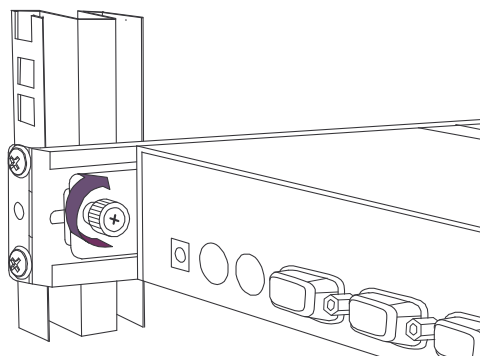


2. From the rear of the cabinet slide the KVM Switch along the rails, until it reaches the console and the thumb screws are aligned to the rear of the cabinet

Plastic Rail on KVM Switch



3. Tighten the Thumb Screws of Bracket A, at each side, to fix the position of the KVM Switch and complete the installation



Tested to comply with FCC Standards
For Commercial Use Only!