

Dual Hard Disk Enclosure User's Manual

1. Product Overview

DUAL HDD Enclosure is a function-friendly and cost-effective storage solution for home and SOHO users Support RAID 0 and JBOD function to expend the HDD up to 1TB capacity. This is a perfect solution to store, share and back up your documents, pictures, video and audio files.

This product is Available in USB2.0 version and USB2.0 +IEEE1394 Combo version.

2. Product features

- Portable desktop design
- Support SATA II Hard Drive, highest capacity up to 1TB. (e.g. 500G HDD x2)
- USB2.0 specification transfer rate up to 480Mbps (USB2.0 version)
- IEEE1394 specification transfer rate up to 400Mbps (Combo version)
- support Raid 0 /JBOD functions

3. Specification

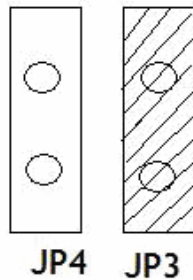
Product name:	USB2.0 DUAL HDD Enclosure	USB2.0+ 1394 DUAL HDD Enclosure
Data transfer rate:	Up to 480Mbps (USB2.0)	Up to 480Mbps (USB2.0) Up to 400Mbps (1394)
Power supply:	External Power adapter 12V DC==4A	
Supporting Hard Disk	SATA I & SATA II Hard Disk Drive	
Partition Configuration	FAT32 / NTFS	
Product Dimension	120(W)x 180(D)x80 (H) mm (main body)	
Weight	700g (Exclude hard disk)	
Operation Environment :	Operation Temperature: 0C~70C, Operation Humidity: 10~90RH	
Storage Environment:	Storage Temperature: -20C~70C, Storage Humidity: 5~95RH	
Certification:	CE, FCC Certified	

Package content:	1x USB2.0 DUAL HDD Enclosure 1x USB2.0 Cable 1x External Power Adapter 1x Driver CD (with User manual inside)	1x Combo DUAL HDD Enclosure 1x USB2.0 Cable 1x IEEE1394 Cable 1x External Power Adapter 1x Driver CD (with User manual inside)
------------------	--	--

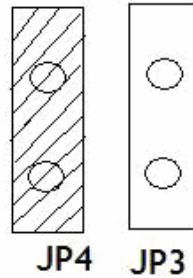
4. Jumper setting for RAID functions

Before install the Hard Disk please read below information carefully, this enclosure supports 3 different mode of operation.

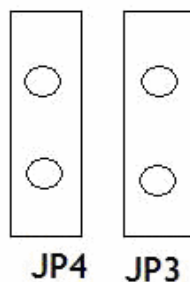
1. RAID 0 (STRIPING) Mode:



2. JBOD (SPANNING) Mode:



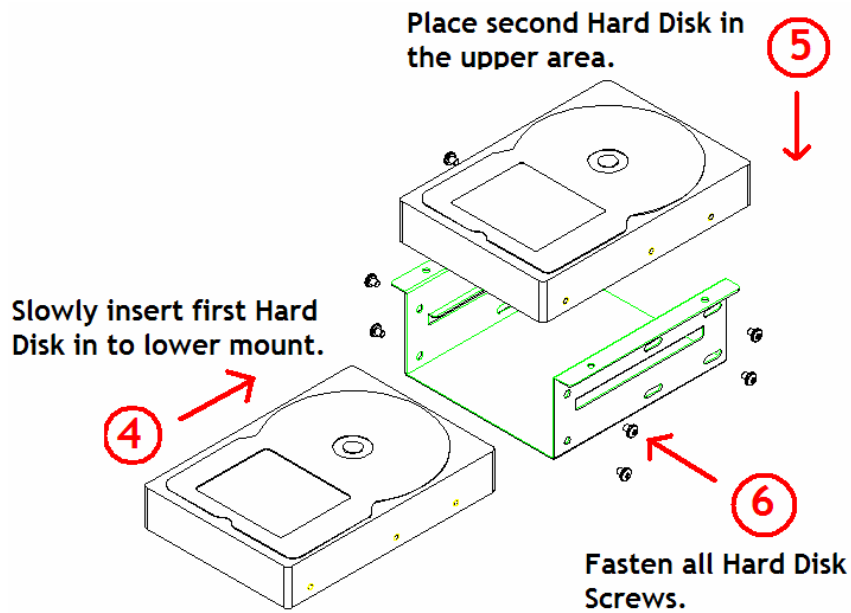
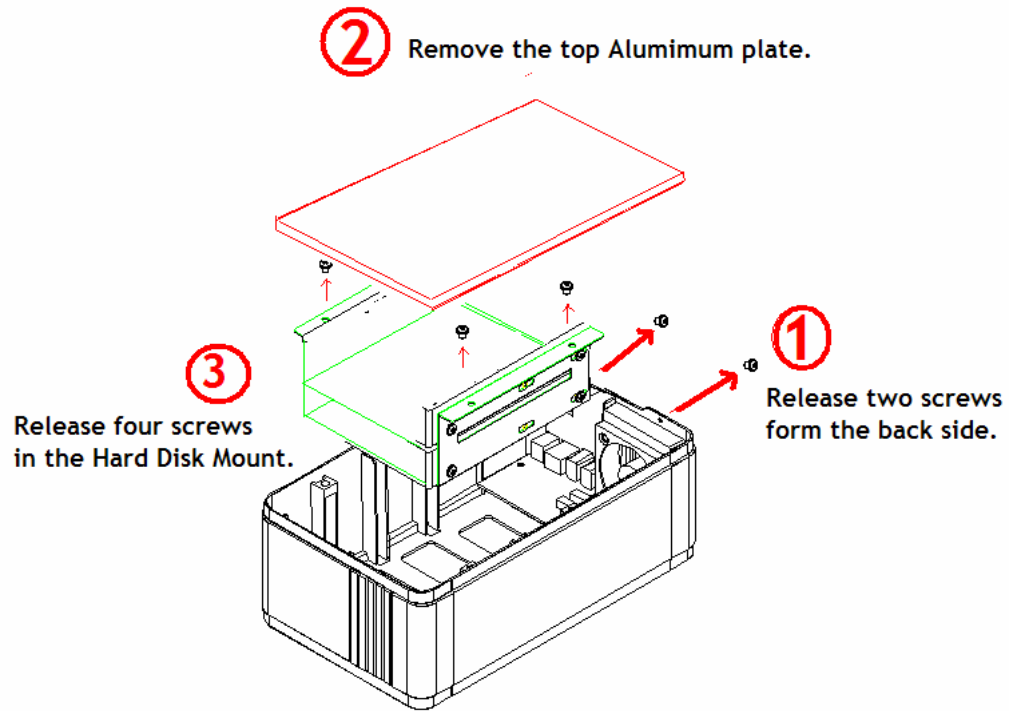
3. Disable RAID Function Mode:

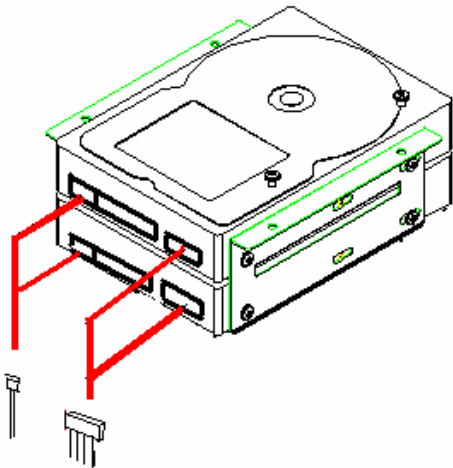


Factory default will set in JBOD (Spanning) mode, if you wish to change the setting please do it before install hard disk drive.

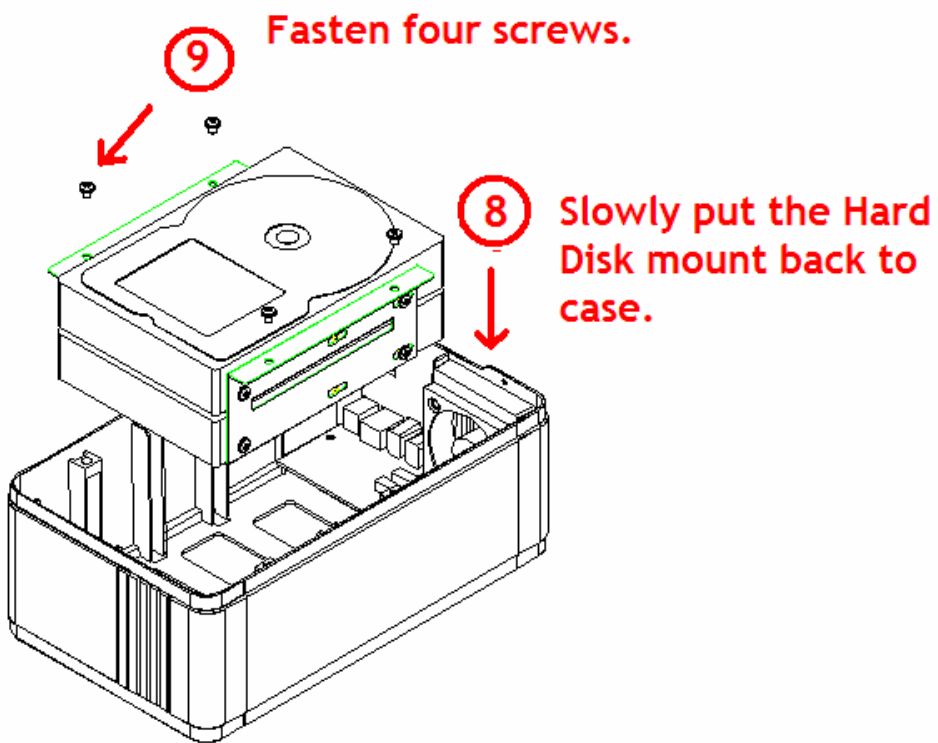
Important info: All data will be lose after change settings, so please make sure all dates has been saved in other place before change RAID function setting.

5. Hardware installation



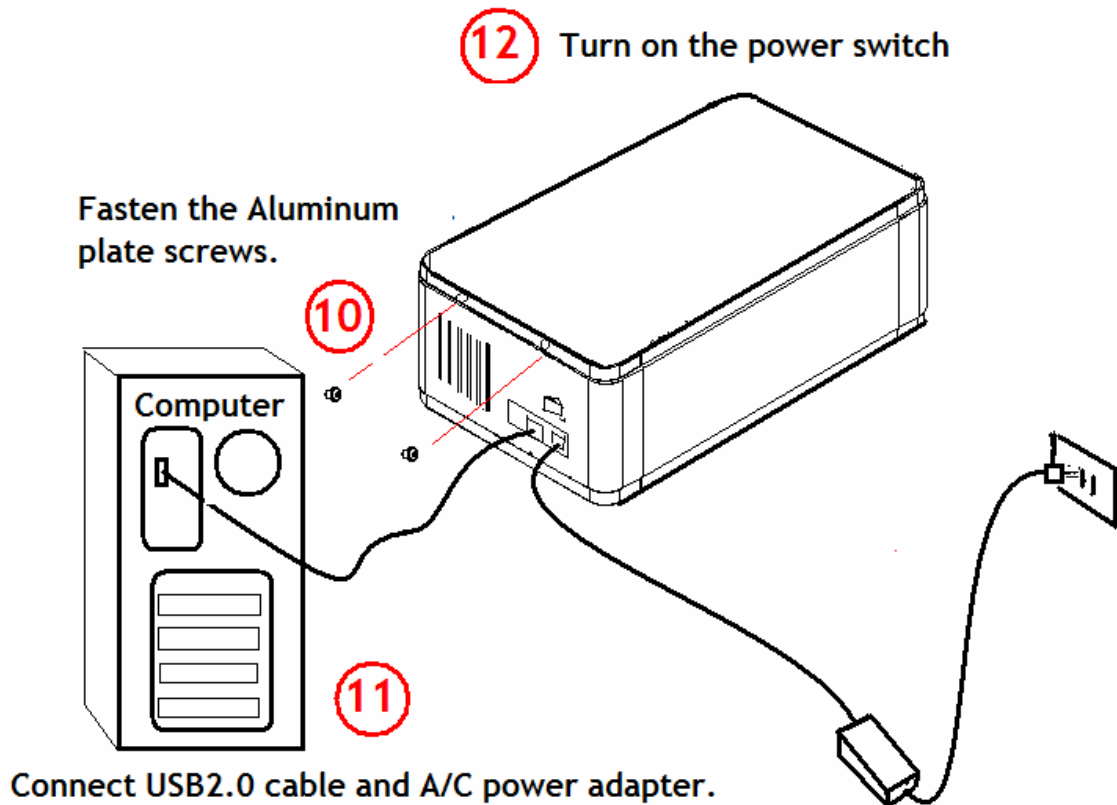


7 Connect both Power cable and SATA Cable in to your Hard Disk. (IDE Cable for IDE version)



9 Fasten four screws.

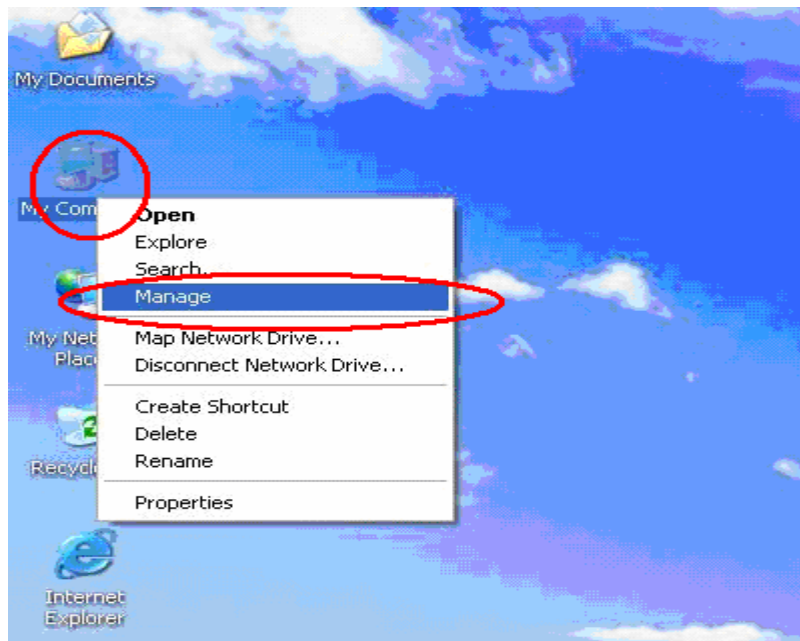
8 Slowly put the Hard Disk mount back to case.



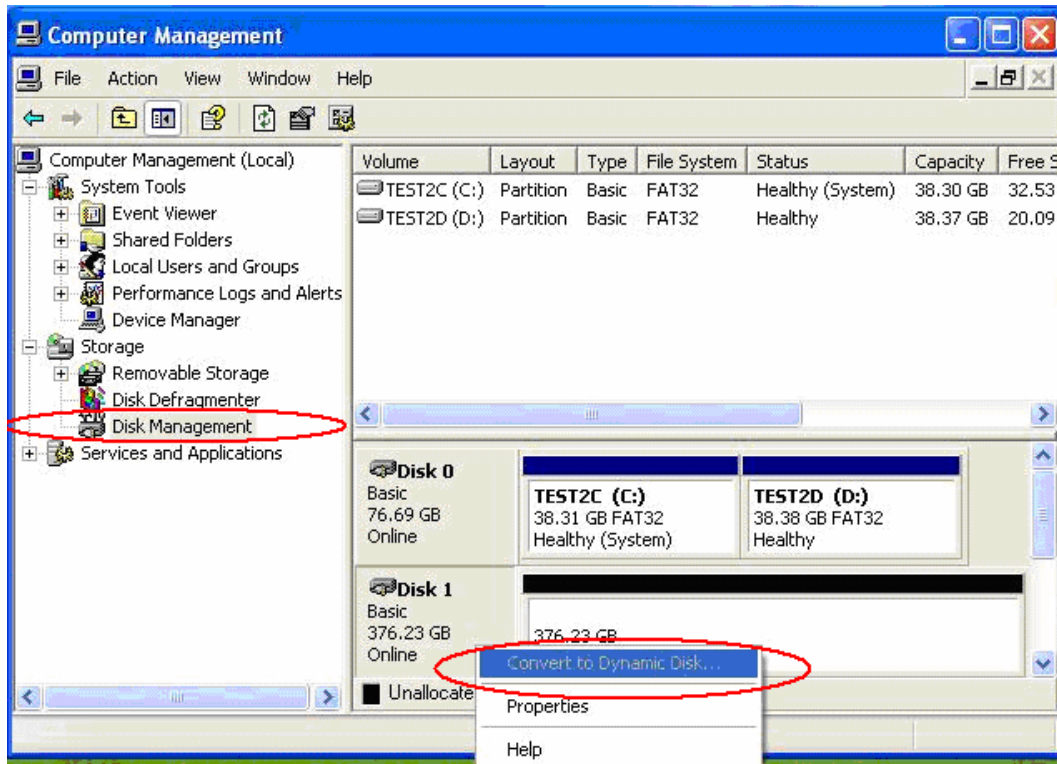
6. Format your Hard Drive

if you are selecting RAID) or JBOD function, than you need to reformat and partition both HDD first by following below steps.

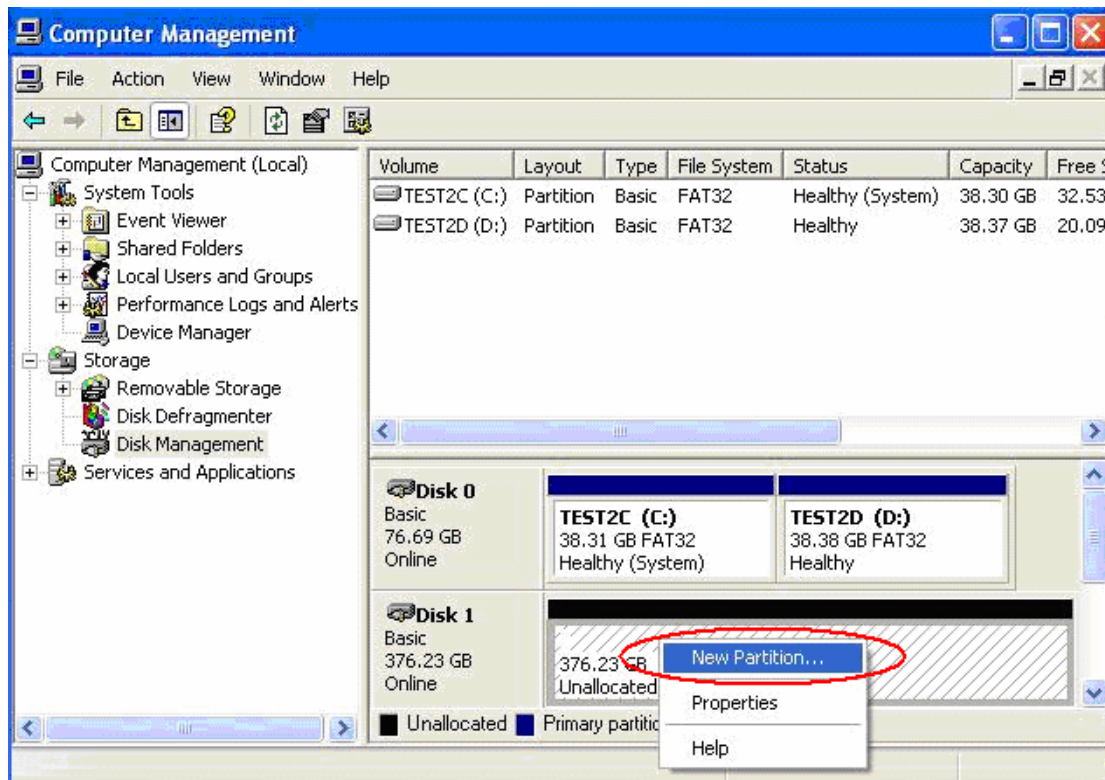
1. Click on right mouse in "My computer" and select "Manage"



2. Select "Disk Management" to check Hard Disk information, click right side of mouse and select "Convert to Dynamic Disk".



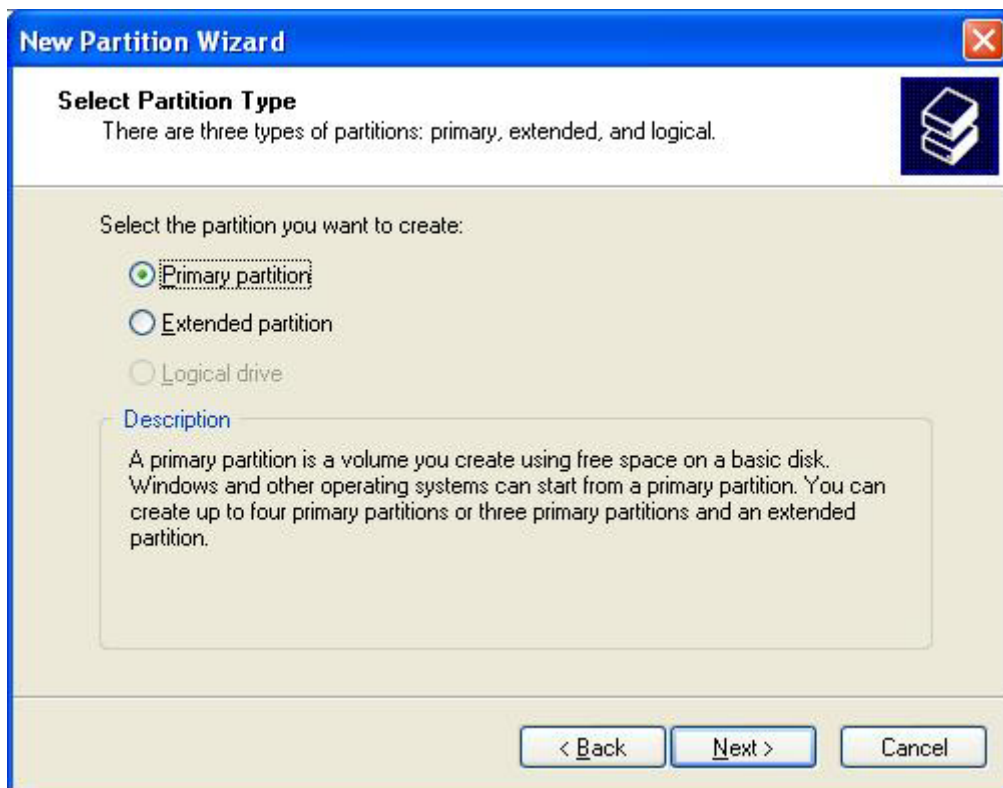
3. Select "New Partition" to create new partition in your HDD.



4. Click "next" to Continue.



5. Select the partition type than click "Next" to continue.



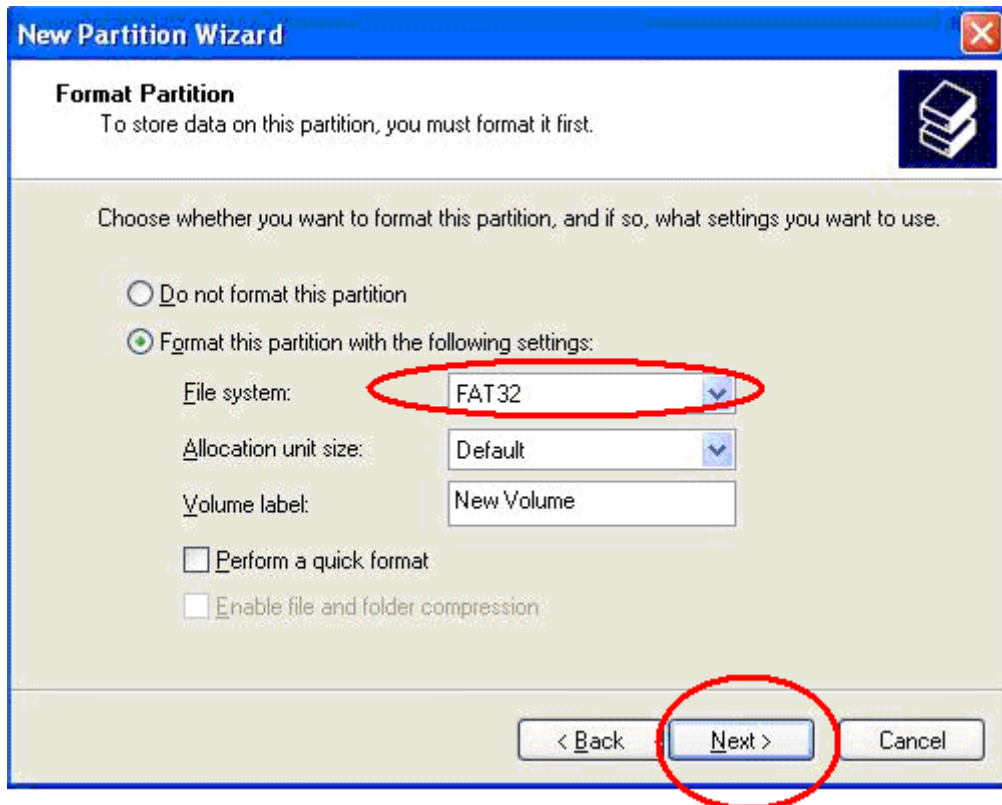
6. Select partition size than click next.

The screenshot shows the 'New Partition Wizard' dialog box with the title bar 'New Partition Wizard' and a close button. The main heading is 'Specify Partition Size' with a sub-instruction: 'Choose a partition size that is between the maximum and minimum sizes.' There is a disk icon in the top right corner. The dialog contains three rows of information: 'Maximum disk space in megabytes (MB): 385262', 'Minimum disk space in MB: 8', and 'Partition size in MB: 6000' (with a spin button). At the bottom, there are three buttons: '< Back', 'Next >', and 'Cancel'.

7. Assign driver letter than click "Next".

The screenshot shows the 'New Partition Wizard' dialog box with the title bar 'New Partition Wizard' and a close button. The main heading is 'Assign Drive Letter or Path' with a sub-instruction: 'For easier access, you can assign a drive letter or drive path to your partition.' There is a disk icon in the top right corner. The dialog contains three radio button options: 'Assign the following drive letter:' (selected) with a dropdown menu showing 'F', 'Mount in the following empty NTFS folder:' with an empty text box and a 'Browse...' button, and 'Do not assign a drive letter or drive path'. At the bottom, there are three buttons: '< Back', 'Next >', and 'Cancel'.

8. Now you can choose file system to be FAT32 or NTFS format,
Then click "Next" to continue.



9. Click "Finish" to completing the partition format.



Important info: If you wish to create FAT32 format more than 30GB Partitions. Please install utility "SWISSKNIFE" enclosed in the CD ROM.

7. Win 98SE /Win 2000 installation (Can only be installed when jumper setting is in Striping and Spanning Mode)

Important note: Before install we need to prepare some files in Win2000 and Win98se CD.

-Windows 2000 Professional (Use Microsoft MSDN Disc 0013.1 / April 2002):

1. USBSTOR.sys
C:\WINNT\system32\driver\
C:\WINNT\system32\driver\
2. USBSTOR.inf & USBSTOR.PNF
C:\WINNT\inf\
C:\WINNT\inf\

-Windows 98 Second Edition install CD (Use Microsoft MSDN Disc 2397 / October 2003):

1. NTMAP.sys
D:\ENGLISH\WIN98SE\BASE5.CAB
2. NTMAP.inf
D:\ENGLISH\WIN98SE\PRECOPY2.CAB
3. NTMAP.cat
D:\ENGLISH\WIN98SE\CATALOG3.CAB
4. NTMAPHLP.PDR
D:\ENGLISH\WIN98SE\BASE5.CAB

copy these files to the new folder under OS Win98se
(e.g.: \Win98se_USB_driver).

1. When the USB cable is plugged in the PC, the system will show a message that the system finds the USB Mass Storage Device. Click " Next" to continue.



2. Select the recommended mode.



3. Select the "Specify a location : " and key-in the location (e.g. C:\Win98se_USB_driver).



4. Install success from the new driver to the system.



5. After while, the system will detect the new hard disk.



6. The system will detect the USB device is 1394/USB Disk in the Device Manager, and will show that it needs the NTMAP.INF to install the driver in the system.



7. Install success from the new driver to system.



In the Device Manager, we can find the new hard disk in the Disk drives.

